



Since 1966

Tubular Specialties Manufacturing, Inc.

13011 South Spring Street, Los Angeles, CA 90061-1685

Phone 800/Grab Bar (800/472-2227) or 310/515-4801

www.GrabBar.com • Fax 310/217-0653

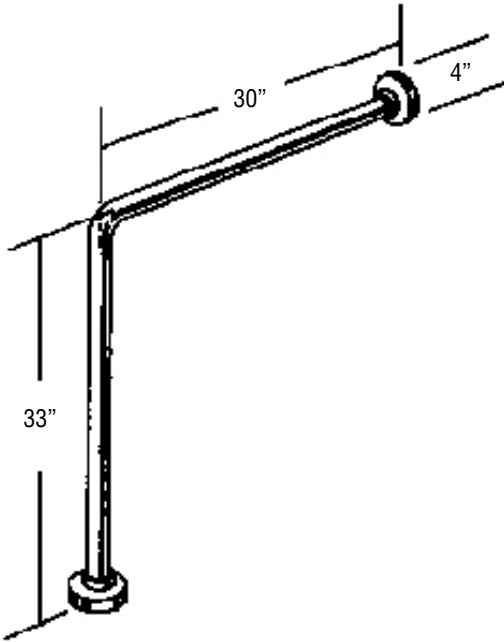
3033Y

Technical Data

Revised June 2005

Page 1 of 2

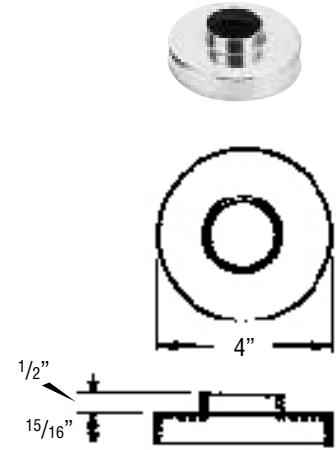
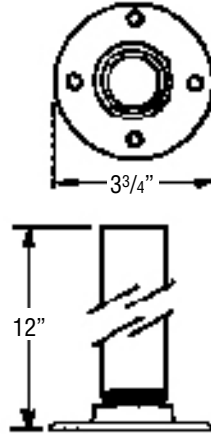
Wall to Floor Grab Bar



H-3033Y



Steel Liner Reinforcing Inserts (2)



Cover Flanges (2)



Design Considerations

- The standard wall tubing for grab bars is 18 gauge. However, 16 gauge tubing can be specified for extremely heavy duty applications; add (65) to the model number.
- The H-3033Y is not recommended for a water environment such as a shower.
- The H-3033Y can be ordered with custom dimensions up to 42" x 42" maximum.
- Please check with local building inspectors for jurisdiction regarding codes affecting tubing O.D., etc. H Grab bars (1 1/2" O.D.) support a 250 pound (114Kg) load when properly installed.
- *Caution:* A grab bar is only as strong as its anchoring devices and the wall on which it is mounted. Grab bars should be inspected periodically to make sure their attachment to the wall is not loosening.



Specification

Wall to Floor Bar H-3033Y shall be #4 satin finish stainless steel type 304 (18-8) tubing with a 90° mandrel bend. Steel liner reinforcing inserts (two) shall be iron with 3 3/4" diameter flanges and four mounting holes and shall fit 12" inside tubing at wall and floor. Cover flanges (two) shall be 4" diameter chrome plated brass. Installation fasteners shall be provided by others. Bar shall support a 250 pound (114Kg) load when properly installed.

Wall to Floor Bar shall be H-3033Y as manufactured by Tubular Specialties Manufacturing, 13011 South Spring Street, Los Angeles, California 90061, tel 800-Grab Bar.

Manufacturer reserves the right to alter design or dimensions without formal notice and without incurring obligation.

© 2005, Tubular Specialties Mfg., Inc. All Rights Reserved



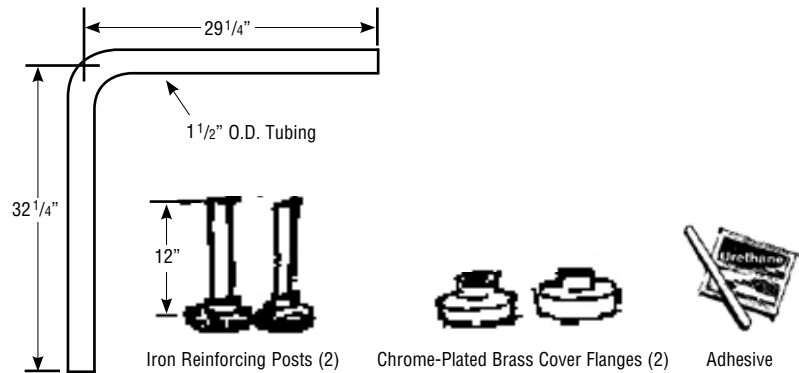
Guarantee

TSM Wall to Floor Bar is guaranteed against defects in workmanship and material for one year from shipping date.

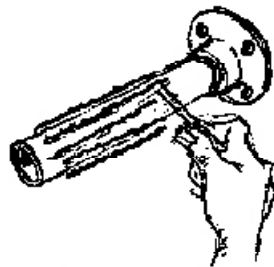


Installation

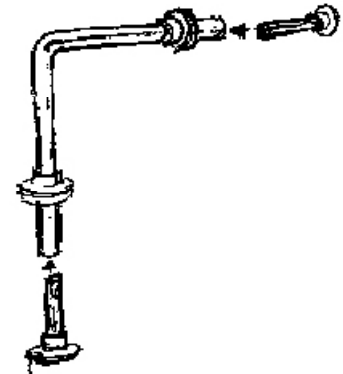
1. The effectiveness of grab bars as safety accessories depends entirely on a secure installation. All TSM grab bars exceed U.S. established guidelines for strength, but it is the responsibility of the design/build/install team to evaluate the specific wall and floor conditions to determine fasteners appropriate for the wall and floor condition and application.
2. Grab bar is surface mounted at wall and floor. In-wall backing is required for wall flange in accordance with local building codes.
3. Prepare two-part adhesive and apply to internal sleeves.
4. Slide cover flange over each end of bar.
5. Insert internal steel liners at each end of bar while adhesive is still wet and fresh.
6. Use grab bar as a template to pinpoint mounting hole placement. Bolt bar to wall and floor.
7. Apply a dab of adhesive 1/2" away from ends of bar, then slide cover flange over base plate. Make sure the cover flange touches the wall or floor.
8. Allow four (4) hours for the adhesive to dry.
9. Accessories should be inspected periodically to make sure their attachment to the wall is not loosening.



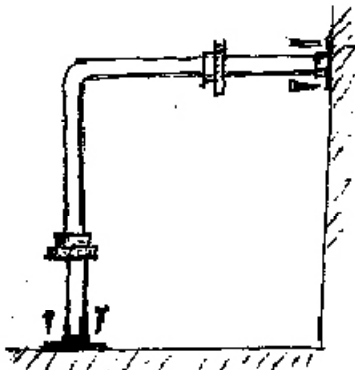
Prepare two-part adhesive and apply to internal sleeves.



Slide cover flange over each end of bar. Insert internal steel liners at each end of bar while adhesive is still wet and fresh.



Use grab bar as a template to pinpoint mounting hole placement. Bolt bar to wall and floor.



Apply a dab of adhesive 1/2" away from ends of bar, then slide cover flange over base plate. Make sure the cover flange touches the wall or floor. Allow four (4) hours for the adhesive to dry.

