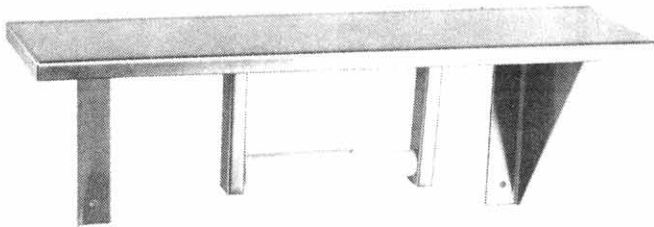


# TSM

**TUBULAR SPECIALTIES MFG., INC.**

13011 S. SPRING ST., LOS ANGELES, CA 90061-1685 • 213/515-4801 TOLL FREE 800/421-2961 CA ONLY 800/521-7548  
 DESIGNER SERVICE: 7:00 A.M. TO 5:00 P.M. PACIFIC TIME • TELEX II: 910-346-6362 • FAX: 213/217-0653

# S-A



## SHELF WITH TOILET PAPER HOLDER



### DESIGN CONSIDERATIONS

- Because they are designed to withstand heavy use, S-A and S-AA shelves are recommended for high traffic areas such as airport and restaurant restrooms.
- Custom lengths are available from 12" (305mm). Anything over 118" (2997mm) will be provided as two pieces butted together.

### MODEL NUMBERS (select one)

See chart below for description of model numbers.

- |                               |                                |
|-------------------------------|--------------------------------|
| <input type="checkbox"/> S5-A | <input type="checkbox"/> S5-AA |
| <input type="checkbox"/> S6-A | <input type="checkbox"/> S6-AA |
| <input type="checkbox"/> S8-A | <input type="checkbox"/> S8-AA |



### SUGGESTED ARCHITECTURAL SPECIFICATION

TSM model \_\_\_\_\_ (fill in model number) Shelf with Toilet Paper Holder(s) from Tubular Specialties Manufacturing, Inc., Los Angeles, California, (213) 515-4801. Material: stainless steel Type 304 (18-8) 18 gauge (1.2mm). Construction: formed and welded with burr-free edges. Finish: satin. Holder: stainless steel. Roller(s): \_\_\_\_\_ (white polyethylene or tamper resistant). Width: \_\_\_\_\_ (5" [127mm], 6" [152mm] or 8" [203mm]). Length: \_\_\_\_\_ (fill in length). Manufacturer's name is not shown on any exposed surface.



### MATERIALS/WORKMANSHIP

**Shelf**—Stainless steel Type 304 (18-8) 18 gauge (1.2mm) with satin finish. Edges of shelf are burr-free, returning 1/2" (13mm) for maximum strength and rigidity. See chart below for standard lengths.

**Mounting Brackets**—Stainless steel Type 304 (18-8) 16 gauge (1.5mm). Heliarc welded to shelf.

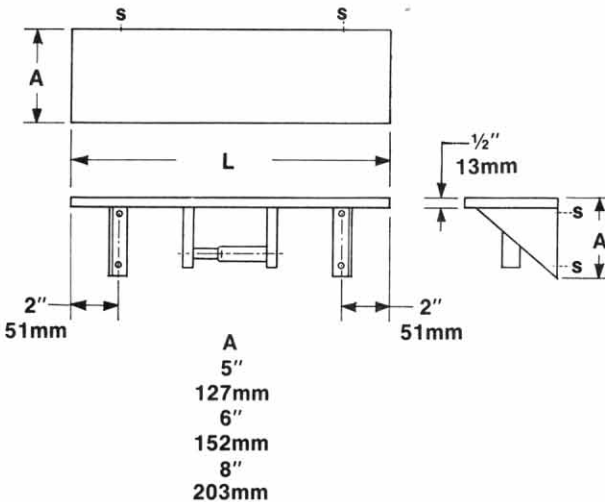
**Holder**—Stainless steel Type 304 (18-8) 22 gauge (0.8mm). Capacity: Accommodates standard core toilet tissue rolls up to 6" (152mm) in diameter.

**Roller(s)**—White polyethylene is standard. A tamper-resistant molded plastic spindle is available as an option; add "-TM" to model number.



### INSTALLATION

Shelf is surface mounted. Screws are provided by manufacturer (see Installation, Reference Section C, for various applications).



#### Shelf with Toilet Paper Holder Model Numbers

Width	Toilet Paper Capacity	
	Single Roll	Double Roll
5"	S5-A	S5-AA
6"	S6-A	S6-AA
8"	S8-A	S8-AA

#### Standard Lengths

16"	48"
18"	54"
20"	60"
24"	72"
30"	84"
36"	96"
42"	