

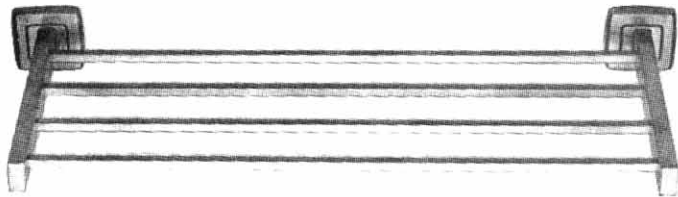
# TSM

**TUBULAR SPECIALTIES MFG., INC.**

13011 S. SPRING ST., LOS ANGELES, CA 90061-1685 • 213/515-4801 TOLL FREE 800/421-2961 CA ONLY 800/521-7548  
DESIGNER SERVICE: 7:00 A.M. TO 5:00 P.M. PACIFIC TIME • TELEX II: 910-346-6362 • FAX: 213/217-0653

# 814,815

## TOWEL SHELF



**U.S. Patent #4,498,654**



### DESIGN CONSIDERATIONS

- Field-Safe accessories are vandal resistant because the fasteners are concealed with a snap-lock flange. Once installed, the flange is difficult to remove without the necessary tools.
- Field-Safe's unique, patented snap-lock fastening system does not use set screws which require periodic tightening, thereby reducing maintenance in the field.
- Because of its one-piece design, Field-Safe accessories can be installed in approximately 1/3 less time than is required for conventional, multi-piece set screw accessories.
- The square Field-Safe flange matches TSM's FS-1 line of grab bars and SH/FS shower rods for a unified washroom design.

### MODEL NUMBERS (select one)

- 814**—Towel Shelf
- 815**—Towel Shelf with Drying Bar



### FINISH (select one)

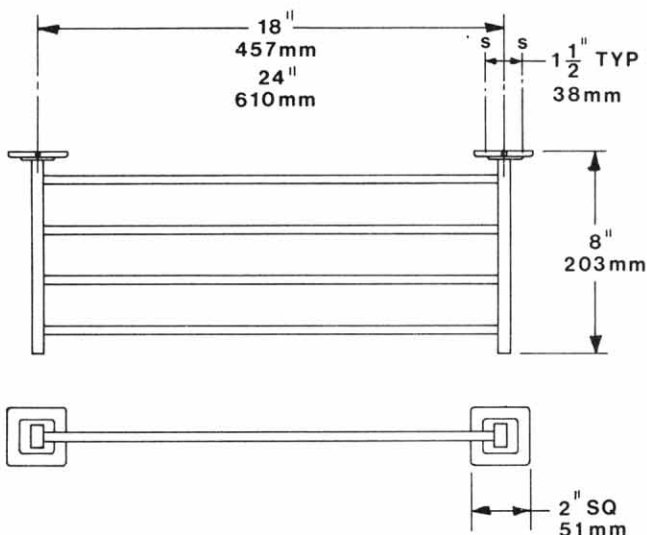
- #8 Bright (standard)
- Other (additional charge; see Finish Schedule, Reference Section A, for options)



### SUGGESTED ARCHITECTURAL SPECIFICATION

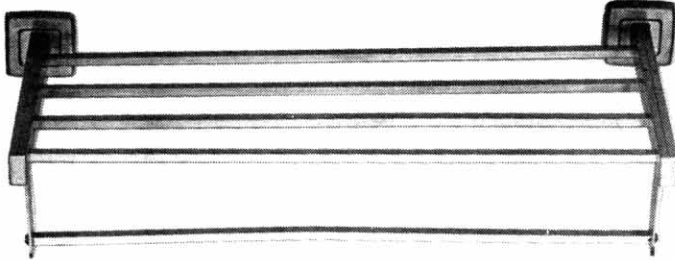
TSM Field-Safe model \_\_\_\_\_ (814 Towel Shelf or 815 Towel Shelf with Drying Bar) from Tubular Specialties Manufacturing, Inc., Los Angeles, California, (213) 515-4801. Construction: stainless steel Type 304 (18-8), formed and welded. Unit secures directly to wall with screws concealed by snap-lock cover flanges. Four 5/16" (8mm) square tubes are locked into posts. (FOR 815 ONLY: One 5/16" (8mm) square tube is locked into post projections heliarc welded to shelf posts.) Length: \_\_\_\_\_ (fill in length) long. Finish: \_\_\_\_\_ (select from Finish Schedule). Installation Hardware: 2" (51mm) x #10 (5mm) stainless steel sheet metal screws.

### Model # 814 Towel Shelf



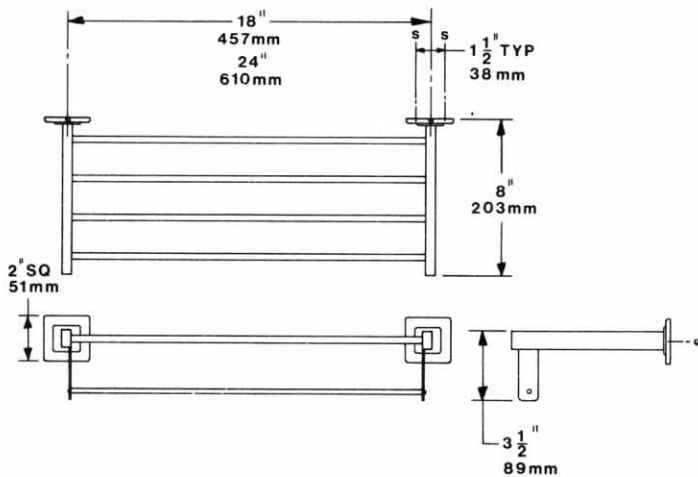
## GUARANTEED PRODUCT

SEE PAGE 3 FOR COMPLETE DETAILS



U.S. Patent #4,498,654

**Model # 815  
Towel Shelf with Drying Bar**



**MATERIALS/WORKMANSHIP**

**Shelf**—Stainless steel Type 304 (18-8) 22 gauge (0.8mm) 5/16" (8mm) square tubes (4), locked into posts. Standard sizes are listed in drawing.

**Wall Flanges**—Stainless steel Type 304 (18-8) 18 gauge (1.2mm).

**Posts**—Stainless steel Type 304 (18-8) 22 gauge (0.8mm) formed into a 1" (25mm) x 1/2" (13mm) rectangular tube. Mechanically fastened to wall flange; ends are capped with a 14 gauge (1.9mm) stainless steel plate with a continuous heliarc weld ground to a 45° chamfer.

**Inserts**—Stainless steel Type 304 (18-8) 28 gauge (0.4mm).

**Covers**—Stainless steel Type 304 (18-8) 22 gauge (0.8mm).

**Post Projections (Model 815)**—Stainless steel Type 304 (18-8) 22 gauge (0.8mm) formed into 1" (25mm) x 1/2" (13mm) rectangular tube. Heliarc welded to post; ends are capped with 14 gauge (1.9mm) stainless steel plate with a continuous heliarc weld ground to a 45° chamfer.

**Drying Bar (Model 815)**—Stainless steel Type 304 (18-8) 22 (0.8mm) 5/16" (8mm) square tube, locked into post projections.



**INSTALLATION**

Surface mount wall flange to wall, align cover flange dimples over notches on wall flange and gently tap in place with a rubber hammer. Stainless steel screws are provided by manufacturer (see Installation, Reference Section C, for various applications).



**DISTRIBUTION**

TSM maintains a worldwide network of distributors. Call your sales representative listed in Reference Section O for the names of those nearest you.